

# Installation instruction



## Cubica Light System (base and cover profile)

For the installation you need:



cross-cut and  
mitre saw



screws



skirting scissors



**Döllken**  
Profiles

we create.  
we innovate.

SURTECO GROUP



# Cubica Light System

## Mounting of the base and cover profile

### How to use

- Cable duct strips for all types of floor covering

### Material properties

- Consisting of a base profile and decor profile and the corresponding inside and outside corners, end caps and connectors
- Base profile consists of PVC-based polyblend
- Cover profile consists of PVC-based polyblend with flexible soft lips towards the wall and floor
- 2-piece for easy, quick processing, very flexible
- Compensation of unevenness by the soft lips to the wall and floor



Please note the general information regarding preparatory work and reworking before you start mounting the skirting boards. This information can be found in the app or in our download centre at [www.doellken-profiles.com](http://www.doellken-profiles.com).



## Installation procedure

### Required for processing including an LED:

Before you start installing the base profile you have to check where in the room the sockets are located.

There are the following applications:

- Connection at the side next to the strip (socket is located in the corner of the room)

#### **A** Connection in the centre (socket between two profiles)

### Cutting the base profile:

The base profile is cut to size using the Döllken profiles skirting scissors or crosscut or mitre saw, or by means of a commercially available precision saw and fastened on the wall as specified on the mounting illustrations (following page). In this process you have to ensure that the joints of the base and cover profile are not lying on top of each other (similar to the principle of masonry).

### Tip for inside and outside corner:

- B** Distance of the base profile to the inside corner: 0 – 16 mm
- C** Distance of the base profile to the outside corner: 0 – 4 mm
- D** End caps: Base profile must be cut 3 mm shorter up to the door frame/finish

### Connector

- If LED with cable outlet on connector is used: centred below the socket 1 cm gap between the base profiles for cable outlet
- E** With simple processing (without LED strip), connector can be used everywhere. No distances have to be observed for the base profile.

### Mounting the base profile

#### We recommend:

#### Mounting the base profile by means of dowels & screws:

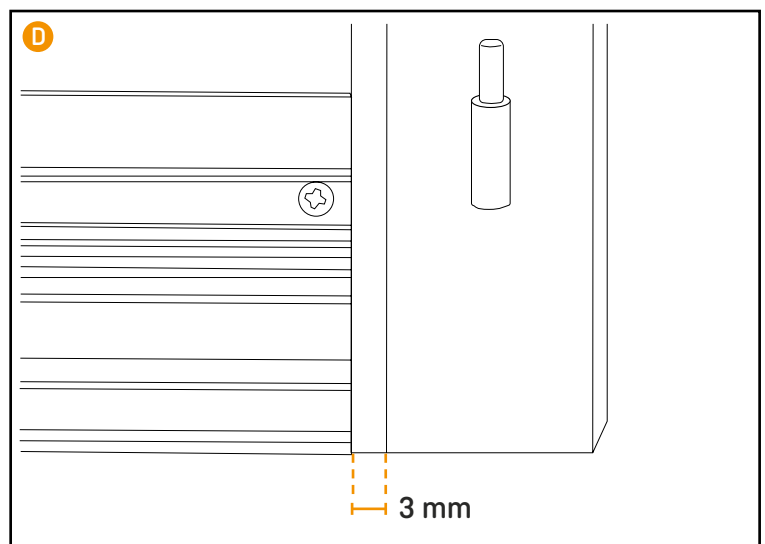
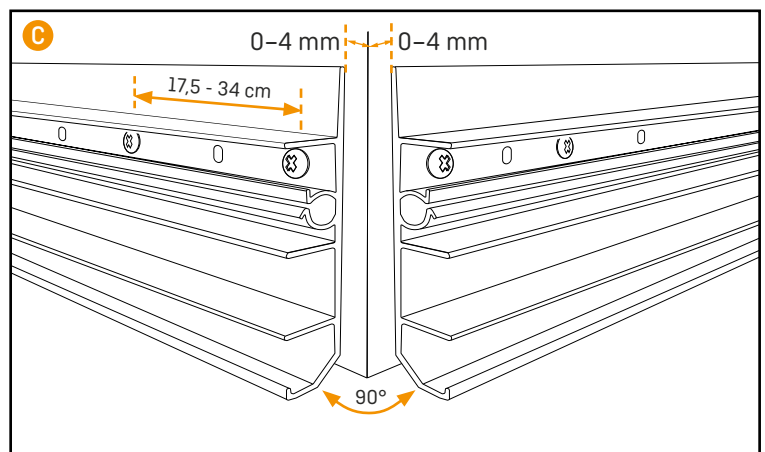
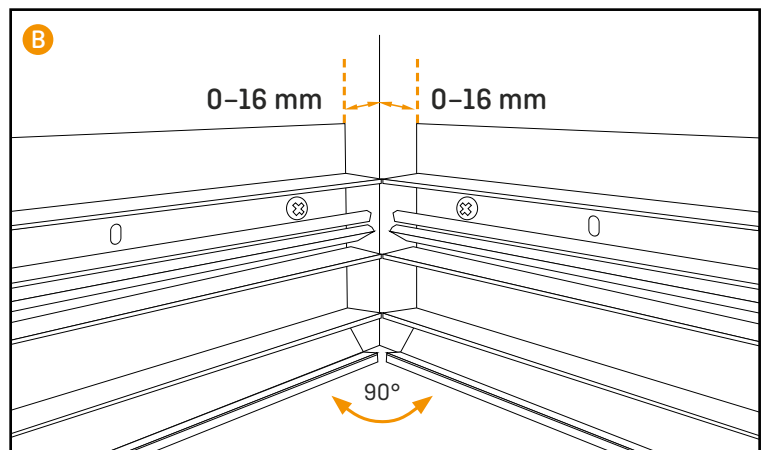
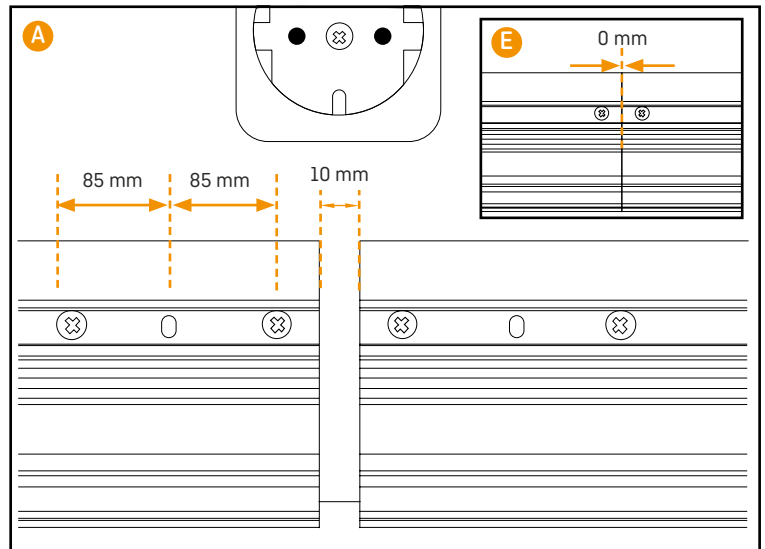
- When using dowels to fasten the base profile, the corresponding length of the dowels and screws has to be defined by the installer, taking into consideration the quality of the wall. The base profiles are provided with holes at a distance of approx. 8.5 cm. We recommend observing a mounting clearance of 17.5 - 34 cm, taking into consideration that the distance to the first fixing point on the outside corner should not be greater than 4 cm.
- Before installing the base profile, remove drilling dust underneath the profile, fastening with round-head screws only.

### Adhering the base profile

- The substrate must be tested for its stability regarding the adhesive. It has to be dry, clean, and free from dust and grease. We especially recommend using the Döllken hot met adhesive HKS 18/300, please observe the separate instructions. You can also use suitable mounting adhesives for hard PVC (e.g. UZIN Fondur HighTack). In any case, observe the respective manufacturer instructions of the adhesive you're using.
- Apply adhesive in a wavelike fashion on the reverse side of the base profile, then firmly press the base profile against the wall.

**There is a risk of burns caused by the screw holes!**

In this connection it is extremely important that the base profile is fit closely to the wall with its whole surface after being mounted! Otherwise undesired shadow gaps may be produced.



## Montage des Deckprofils

### Stöße unbedingt winklig und sauber schneiden!

- Stöße des Deckprofils auf der Geraden verbindet man mit Verbindern. Alternativ können auch die Deckprofile auf Stoß aneinander gelegt werden. In diesem Fall die Originalkanten aneinander stoßen lassen.
- Bitte verwenden Sie an den Innen- und Außenecken (90°), an Stößen und an den Enden unsere speziellen Formteile.
- Mit den Verbindern können Schattenfugen an den geraden Stößen vermieden werden.
- Deckprofil am Anfang des Grundprofils in Verlegerichtung in die Aufnahme gleichmäßig bis zum Ende im Grundprofil einrasten.

Es wird empfohlen, sie auch an den Stellen mit Kabelaustritt einzusetzen. An den Verbindern befindet sich eine entsprechende Sollausbruchsstelle für einen sauberen Kabelaustritt, welche vor dem Ausbrechen mit einem geeigneten Messer eingeschnitten werden kann.

Zuschnitt mit Kapp- und Gehrungssäge oder einer handelsüblichen Feinsäge, damit die Profile winklig werden!

## Eckenbildung

### Verbinder

- F** Einsetzen des Verbinders: unter Profilende seitlich einschieben
- G** danach nächste Leiste einrasten

### Außenecke

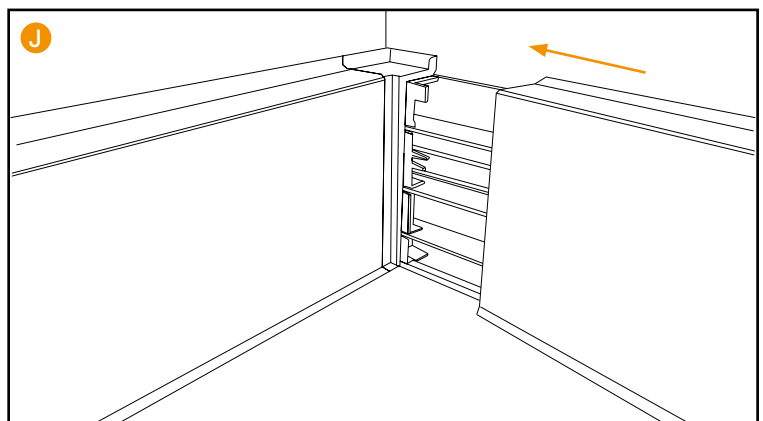
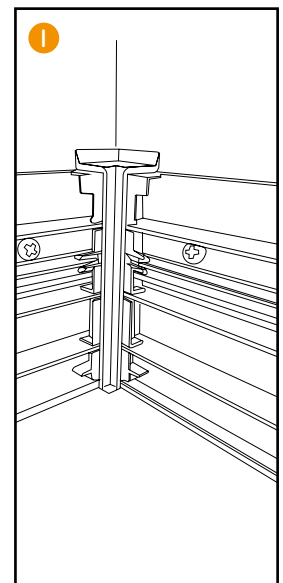
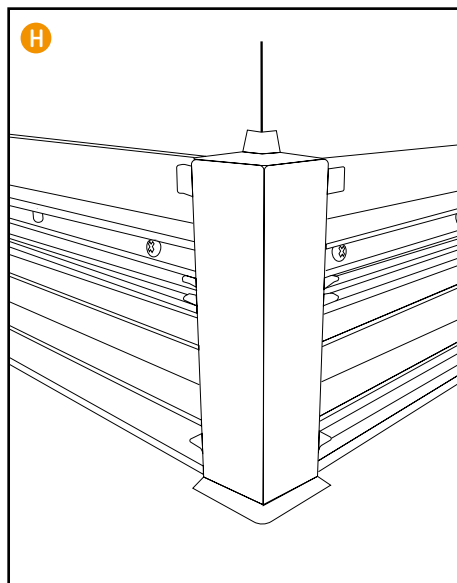
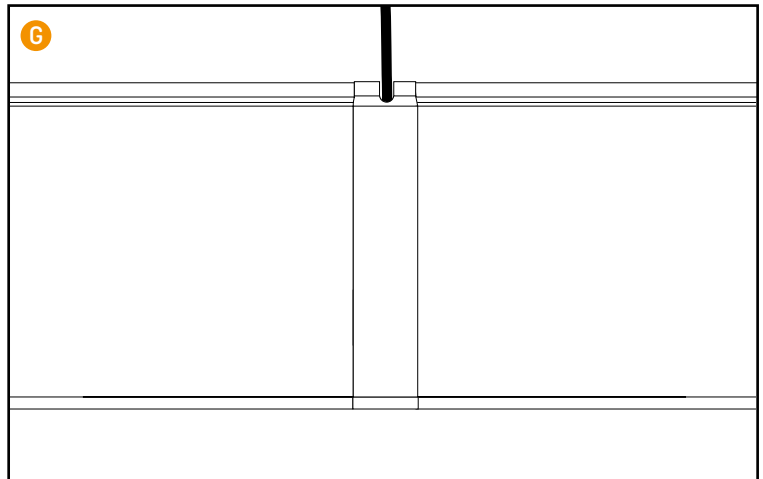
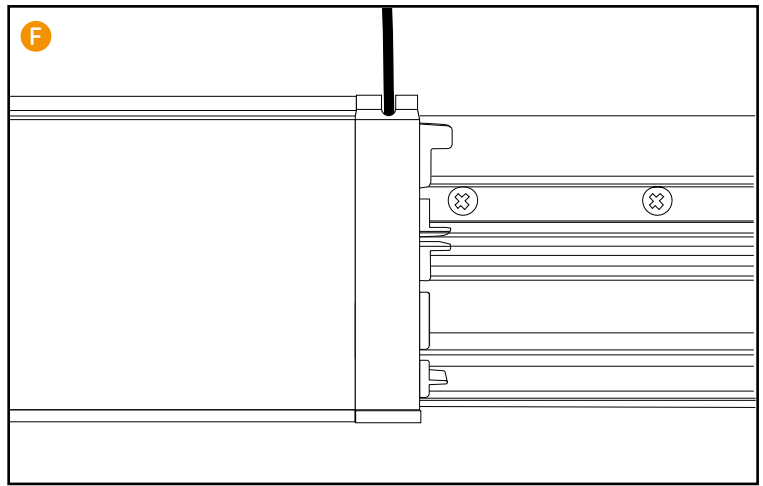
- H** Außenecke auf Grundprofil aufsetzen, Deckprofil bündig einrasten
- Deckprofil muss an Außenecke **4 mm kürzer zur Außenecke** geschnitten werden

### Innenecke

- I** auf Grundprofil aufsetzen
- J** nächste Leiste aufstecken

### Endkappen

- Endkappe auf Profilende einstecken
- Zur sicheren Fixierung: einen Tropfen Sekundenkleber an Stegen des Deckprofils aufbringen





# Have you heard about the matching LED starter kits



Plug & Play



Smart-Home-ready

In zwei Varianten erhältlich:

## BASIC-Starter Kit

- Power supply unit (transformer for 230 V socket)
- LED strip
- DC-Y connecting cable
- Strip-to-strip connector
- Strip-to-strip connector with cable

## PREMIUM-Starter Kit




- Power supply unit (transformer for 230 V socket)
- LED strip
- DC-Y connecting cable
- Strip-to-strip connector
- Strip-to-strip connector with cable
- radio connector & wireless switch



Watch the processing video on YouTube now!

Publication of this version shall render all prior versions invalid.

Last update: 22.07.2020

**Döllken Profiles GmbH**  
Industriestraße 1  
59199 Bönen  
Follow us on   

T: +49 3643 4170 711  
F: +49 3643 4170 330  
info@doellken-profiles.com  
www.doellken-profiles.com